

## Rocker Pin Load Cell CB50X with a Rated Load of 5 ... 60 t



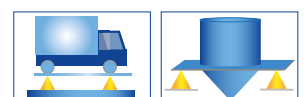
Data sheet

### Performance Features

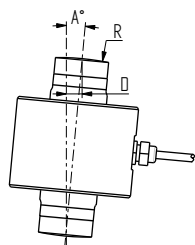
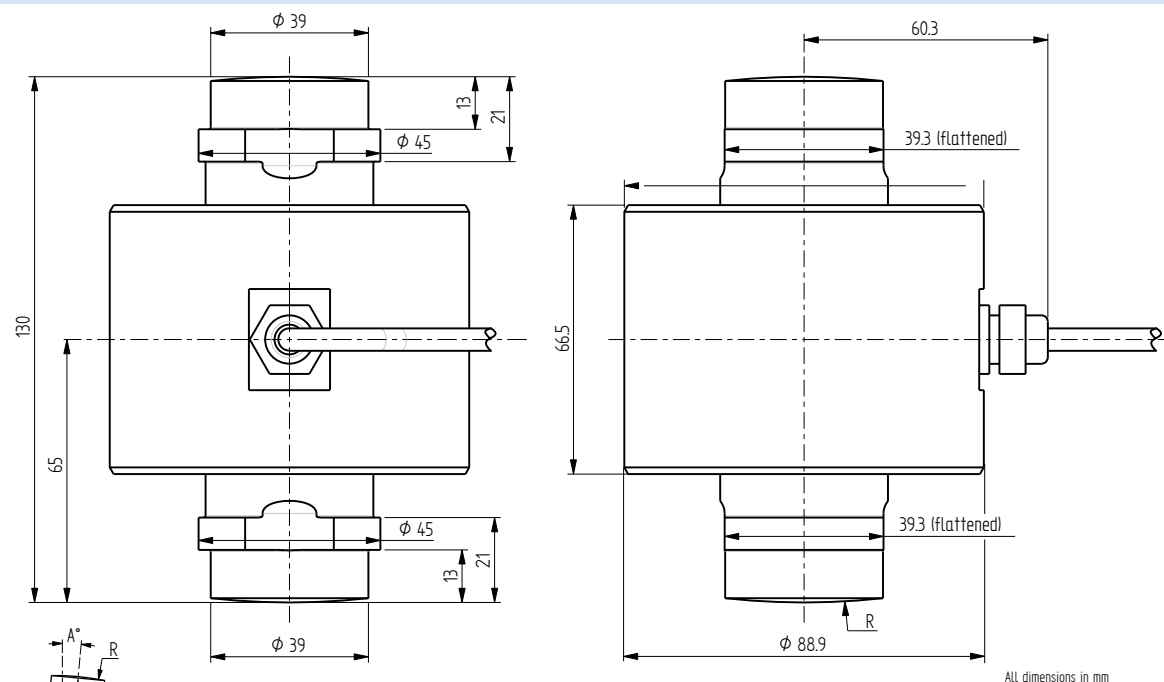
- Rocker Pin Load Cell made of stainless steel
- Protection class IP68, welded
- 4000d OIML R60 approved
- Spherical and self centering base
- Anti-rotating system included
- Ideally suited for weighbridge use and silo weighing
- Surge protection (option)
- Anti-rodent shielded cable (option)
- ATEX 2014/34/EU version for hazardous area (option)

### Application

- Food industry
- Coal and steel industry
- Chemical / pharmaceutical industry
- Waste management / recycling
- Packaging technology



## Dimensions in mm



	Rated Load [t]				
	5, 10	20	30	40	60
R (mm)	130	160	180	200	220
A° max.	6.4°	4.4°	3.7°	3.1°	2.4°
D max. (mm)	14.5	11	10	7	5.5
F (%)	11.2	11.2	11.6	11.2	10.1

D max: Max. permissible lateral displacement of load introduction

A° max: Slope at D max.

F: Restoring force at D max. (% of applied load)

ATTENTION: Before use, please observe our technical notes on the assembly instructions (INT WEIGHBRIDGE)

Article-No.	Version	Rated load [t]
105147	C4 10e	5
105209	C4 10e	10
105214	C4 10e	20
105148	C4 10e	30
105215	C4 10e	40
105216	C4 10e	60

## Connection Assignment

### Electrical Connection

Function	Wire Color
Excitation (+)	Red ●
Signal (+)	White ○
Signal (-)	Yellow ●
Excitation (-)	Blue ●

## Technical Data

Type	CB50X	
Version		C4 10e
Rated load <b>E</b>	t	5; 10; 20; 30; 40; 60
Maximum load for approved weighing <b>E<sub>max</sub></b>	t	5; 10; 20; 30; 40; 60
Accuracy class OIML R60		C4
Maximum numbers of load cell intervals <b>n<sub>max</sub></b>	d OIML	4000
Minimum verification interval <b>v<sub>min</sub></b>	t	$E_{max}/10000$
Creep division factor $Z = E_{max}/2 \times DR$		4000
Combined error	% E	±0.013
Temperature coefficient of zero signal	% E/°C	±0.0014
Temperature coefficient of characteristic value	% E/°C	±0.0011
Load creep <b>d<sub>cr, F</sub></b> in 30 min.	% E	±0.018
Zero balance	% E	±2.5
Rated output at E <b>C<sub>nom</sub></b>	mV/V	2 ±10 %
Rated range of excitation voltage <b>B<sub>U, nom</sub></b>	V	1 ... 15
Input resistance <b>R<sub>e</sub></b>	Ω	815 ±20
Output resistance <b>R<sub>a</sub></b>	Ω	700 ±0.35
Signal adjustment	% E	0.1
Insulation resistance <b>R<sub>is</sub></b>	MΩ/50V	5000
Electrical connection		Cable, PVC, 15 m
Material cable gland		Nickel plated steel
Rated temperature range <b>B<sub>T, nom</sub></b>	°C	-10 ... 40
Operating temperature range <b>B<sub>T, G</sub></b>	°C	-20 ... 60
Limit load <b>E<sub>lim</sub></b>	% E <sub>max</sub>	150
Breaking load <b>E<sub>B</sub></b>	% E <sub>max</sub>	300
Level of protection	EN 60529	IP68
Material		Stainless steel
Weight	kg	3

## Options

Article-No.	Description
107798	ATEX 2014/34/EU, IECEx: ex II 1 G/D, Ex ia IIC T6 Ga, Ex ia IIIC T80 °C Da, IP6X, -20 °C < Ta < +60 °C (zones gaz 0/1/2, dust 20/21/22)
115049	ATEX 2014/34/EU, IECEx: ex II 1 D, Ex ta IIIC T125 °C Da, IP6X, -20 °C < Ta < +60 °C (zones dust 20/21/22)
115048	ATEX 2014/34/EU, IECEx: ex II 3 G, Ex nA IIC T6 Gc, -20 °C < Ta < +60 °C (zone gaz 2) <sup>1</sup>
	Gas discharge tube as surge protection (GDT option): 10 kA / 20 kV (8/20 μs) - IEC 61000-4/5
	Anti-rodent shielded cable

## Accessories

### Electrical Connection

Article-No.	Description
10323	Male cable connector KS6 (6-pin, Series 581) incl. mounting
10320	Male cable connector KSSH15 (15-pin) incl. mounting
43418	Input connector ZA9612FS (ALMEMO) incl. sensor mounting and connector calibration
49205	Input connector ZKD712FS (ALMEMO 202) incl. sensor mounting and connector calibration

<sup>1</sup> Except GDT option

## Accessories (continued)

### Assembly kit

Article-No.	Description	Material	
105220	Mounting kit Stabican 30t	Zinc plated steel	
105219	Mounting kit Stabican 30t	Stainless steel	
111186	Mounting kit STABICAN 60t	Zinc plated steel	
110653	Cups kit LPC	Zinc plated steel	
108590	Fastening and cups kit LPM	Zinc plated steel	
111187	Fastening and cups kit LPM-X	Stainless steel	
110654	Self aligning kit LPS	Zinc plated steel	

Further suitable accessories you can find on our homepage under:  
<https://www.lorenz-messtechnik.de/english/products/load-cells.php>