

## Compression load cell RH10X with a Rated Load of 100 ... 1000 t



### Performance Features

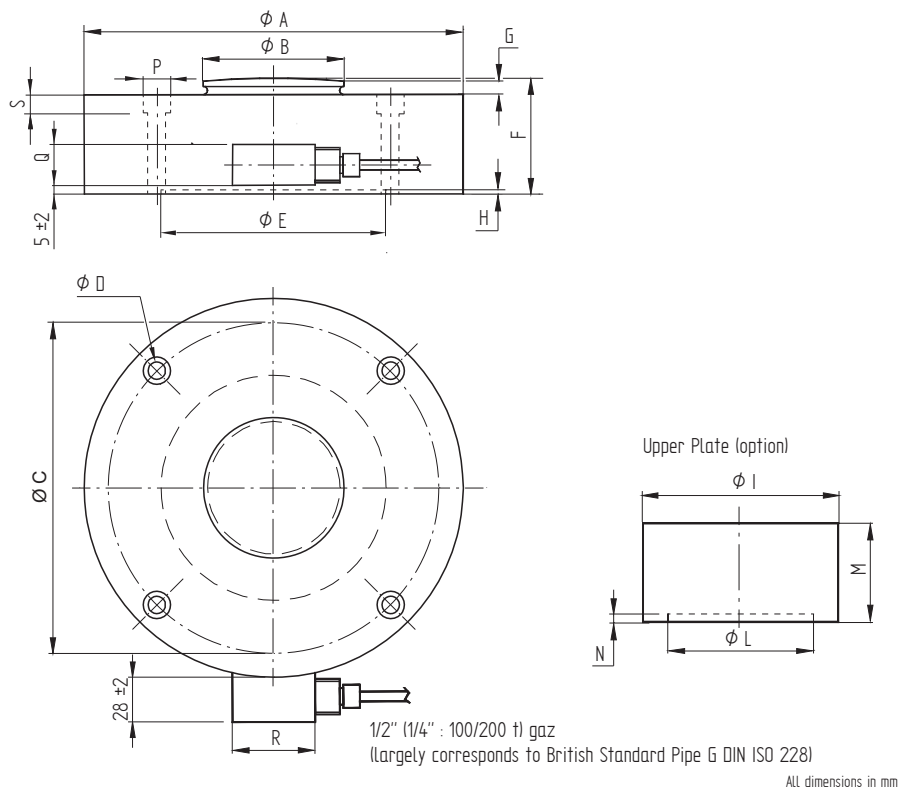
- Compression load cell made of stainless steel, welded with protection class IP68
- Accuracy up to  $\pm 0.2\%$
- Spherical load button for perfect alignment of the load
- Low profile design
- Ideally suited for any industrial weighing and level control application
- ATEX 2014/34/EU version for hazardous area (option)

### Application

- Food industry
- Coal and steel industry
- Chemical / pharmaceutical industry
- Waste management / recycling
- Packaging technology



## Dimensions in mm



Article-No.	Rated Load E [t]	Dimensions [mm]											Weight [kg]	
		Ø A	Ø B	Ø C	Ø D	Ø E	F	G	H	Ø P	Q	R		S
111188	100	229	87	200	10.5	136.5	70	10	2	16.5	30	60	10.5	25
111189	200													
111192	300	299	155	260	12.5	228	85	12	2	18.5	30	60	12.5	42
111193	500	299	155	260	12.5	230	120	14	2	18.5	30	60	12.5	60
111194	750													
112271	1000	323	175	285	12.5	250	140	15	2	18.5	30	60	12.5	83

### Upper Plate (option):

Article-No.	Rated Load E [t]	Dimensions [mm]			
		Ø I	Ø L	M	N
111195	100, 200	119	88	60	5
111196	300	198	156	60	5
111197	500, 750	198	156	89	9
119653	1000	229	176	99	11

## Connection Assignment

### Electrical Connection

Function	Wire Color
Excitation (+)	Red ●
Signal (+)	Green ●
Signal (-)	White ○
Excitation (-)	Black ●
Sensing (+)	Blue ●
Sensing (-)	Brown ●

## Technical Data

Type	RH10X	
Version		-
Rated load <b>E</b>	t	100; 200; 300; 500; 750; 1000
Maximum load for approved weighing <b>E<sub>max</sub></b>	t	-
Accuracy class OIML R60		-
Maximum numbers of load cell intervals <b>n<sub>max</sub></b>	d OIML	-
Minimum verification interval <b>v<sub>min</sub></b>	t	-
Creep division factor $Z = E_{max}/2 \times DR$		-
Combined error	% E	$\pm 0.2^1$
Temperature coefficient of zero signal	% E/°C	$\pm 0.005$
Temperature coefficient of characteristic value	% E/°C	$\pm 0.005$
Load creep <b>d<sub>cr, F</sub></b> in 30 min.	% E	$\pm 0.03$
Zero balance	% E	$\pm 1$
Rated output at E <b>C<sub>nom</sub></b>	mV/V	$2 \pm 0.1 \%^1$
Rated range of excitation voltage <b>B<sub>U, nom</sub></b>	V	1 ... 15
Input resistance <b>R<sub>e</sub></b>	Ω	700 $\pm$ 20
Output resistance <b>R<sub>a</sub></b>	Ω	700 $\pm$ 5
Insulation resistance <b>R<sub>is</sub></b>	MΩ/50V	2000
Electrical connection		Cable, PVC, 10 m
Rated temperature range <b>B<sub>T, nom</sub></b>	°C	-10 ... 50
Operating temperature range <b>B<sub>T, G</sub></b>	°C	-20 ... 60
Limit load <b>E<sub>lim</sub></b>	% E <sub>max</sub>	150
Breaking load <b>E<sub>b</sub></b>	% E <sub>max</sub>	300
Level of protection	EN 60529	IP68
Material		Stainless steel
Weight	kg	See drawing

## Options

Article-No.	Description
107798	ATEX 2014/34/EU, IECEx: ex II 1 G/D, Ex ia IIC T6 Ga, Ex ia IIIC T80 °C Da, IP6X, -20 °C < Ta < +60 °C (zones gaz 0/1/2, dust 20/21/22)
115049	ATEX 2014/34/EU, IECEx: ex II 1 D, Ex ta IIIC T125 °C Da, IP6X, -20 °C < Ta < +60 °C (zones dust 20/21/22)
115048	ATEX 2014/34/EU, IECEx: ex II 3 G, Ex nA IIC T6 Gc, -20 °C < Ta < +60 °C (zone gaz 2)
-	Upper plate see drawing

## Accessories

### Electrical Connection

Article -No.	Description
10323	Male cable connector KS6 (6-pin, Series 581) incl. mounting
10320	Male cable connector KSSH15 (15-pin) incl. mounting
43418	Input connector ZA9612FS (ALMEMO) incl. sensor mounting and connector calibration
49205	Input connector ZKD712FS (ALMEMO 202) incl. sensor mounting and connector calibration

Further suitable accessories you can find on our homepage under:

[https://www.lorenz-messtechnik.de/english/products/lc\\_weighing-electronics.php](https://www.lorenz-messtechnik.de/english/products/lc_weighing-electronics.php)

<sup>1</sup> E > 500 t : Characteristic values up to 500 t tested